



Features:

- 95 dB sensitivity 1 W/1 m
- 1500 W Power handling
- 4" copper sandwich voice coil for low power compression
- Neodymium magnet system
- Double treated cone for water protection
- Triple aluminum demodulating rings for ultra low distortion
- Optimal for high output subwoofers
- Light weight carbon fiber diaphragm

SPECIFICATIONS

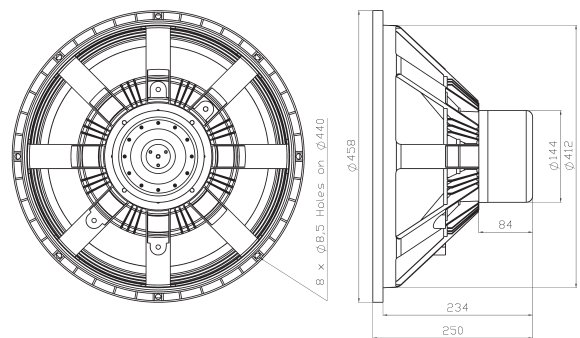
APPLICATION	Infra-Subwoofer	
Nominal Impedance	Ohm	8
Power handling AES noise	W	1500
Sensitivity (1 W / 1 m)	dB	95
Frequency response	Hz	20 - 200
Voice Coil Diameter	mm	101.6 (4")
Voice Coil Winding Depth	mm	50
Magnet Gap Depth	mm	12
Voice Coil Material		Cu
Basket		Cast Aluminium
Effect. Diaphragm Diameter D	mm	393

THIELE-SMALL PARAMETERS			
Resonance Frequency	Fs	Hz	24,85
DC Resistance	Re	Ohm	5,7
Mechanical Q Factor	Qms		5,33
Electrical Q Factor	Qes		0,4
Total Quality Factor	Qts		0,37
Equivalent Volume	Vas	L	304
Moving Mass	Mms	kg	0,277
Mechanical Compliance	Cms	mm / N	0,148
BL Factor	BL	Tesla m	24,93
Effective Piston Area	Sd	m ²	0.1213
Max. linear Excursion	Xmax	mm	+/- 19
Voice Coil Inductance	Le1k	mH	0,81
	Le10k	mH	0,5

MOUNTING INFORMATION		
Overall Diameter	mm	458
Mounting Holes Diameter	mm	8 x 8.5
Bolt Circle Diameter	mm	440
Baffle cut-out Diameter	mm	412
Overall Depth	mm	250
Net weight	kg	10,5

Recommended reflex enclosure:

200 L / 26 Hz, -3 dB = 29 Hz, BRD = 200 mm / 540 mm long
 Closed enclosure 100 L, -3 dB = 50 Hz



Frequency response measured 1000 W (89.4 V) at 1 m in a vented enclosure of 170 liter tuned 32 Hz incl. 2nd and 3rd harmonic distortion raised 10 dB.

