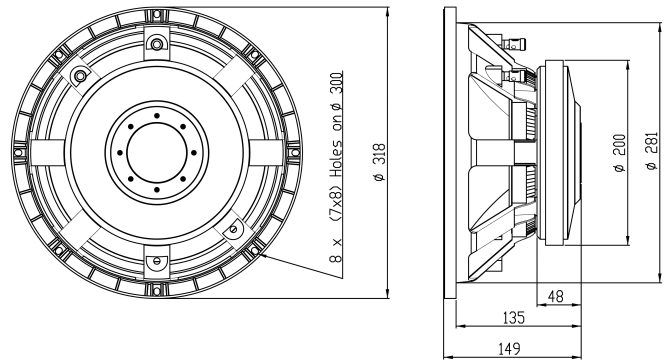


Features:

- 99dB sensitivity 1W/1m
- 400W Power handling
- 3" copper sandwich voice coil for low power compression
- Double treated cone for water protection
- Triple aluminium demodulating rings for ultra low distortion
- Optimal for compact 2- or 3-way systems

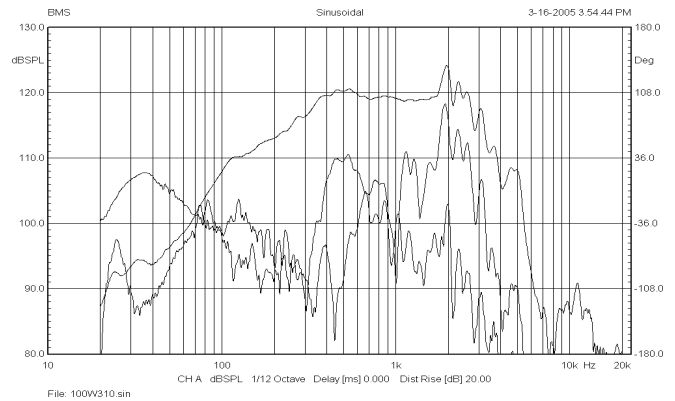
SPECIFICATIONS

APPLICATION	Compact 2- or 3-way	
Nominal impedance	Ohm	8
Power handling AES noise	W	400
Sensitivity (1W/1m)	dB	99
Frequency response	Hz	55 - 2500
Voive coil diameter	mm	77 (3")
Voice coil material		Cu
Voice coil winding depth	mm	15
Magnet gap depth	mm	10
Basket		Cast Aluminium
Effect. diaphragm diameter D	mm	260

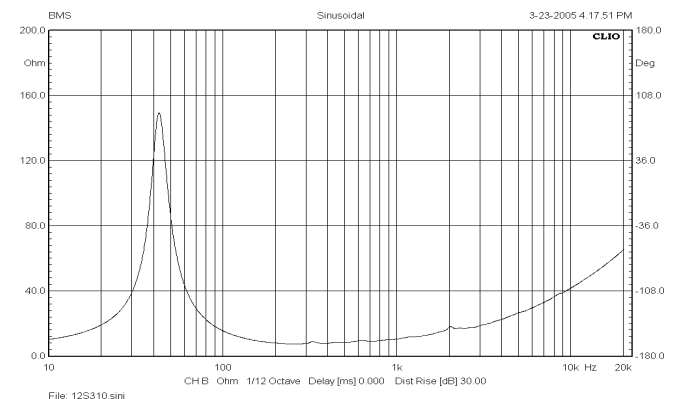


THIELE - SMALL PARAMETERS			
Resonance frequency	Fs	Hz	45.3
DC resistance	Re	Ohm	5.70
Mechanical Q factor	Qms		5.81
Electrical Q factor	Qes		0.20
Total Quality factor	Qts		0.20
Equivalent volume	Vas	L	66.90
Moving mass	Mms	kg	0.073
Mechanical compl.	Cms	mm/N	0.169
BL factor	BL	Tesla m	24.20
Effective piston area	Sd	m ²	0.0531
Max. linear excursion	Xmax	mm	± 2.5
Voice coil inductance	Le1k	mH	1.47
	Le10k	mH	0.65

Frequency response measured 100W (28.3V) at 1m in a closed enclosure of 50 litre in an anechoic chamber incl. 2nd and 3rd harmonic distortion raised 20dB.



MOUNTING INFORMATION		
Overall diameter	mm	318
Mounting holes diameter	mm	8 x (7 x 8)
Bolt circle diameter	mm	300
Baffle cut-out diameter	mm	283
Overall depth	mm	149
Net weight	kg	8.1



Recommended reflex enclosure:

8L/86Hz, -3dB=115Hz, BRD=70mm/133mm long

20L/70Hz, -3dB=75Hz, BRD=90mm/110mm long